

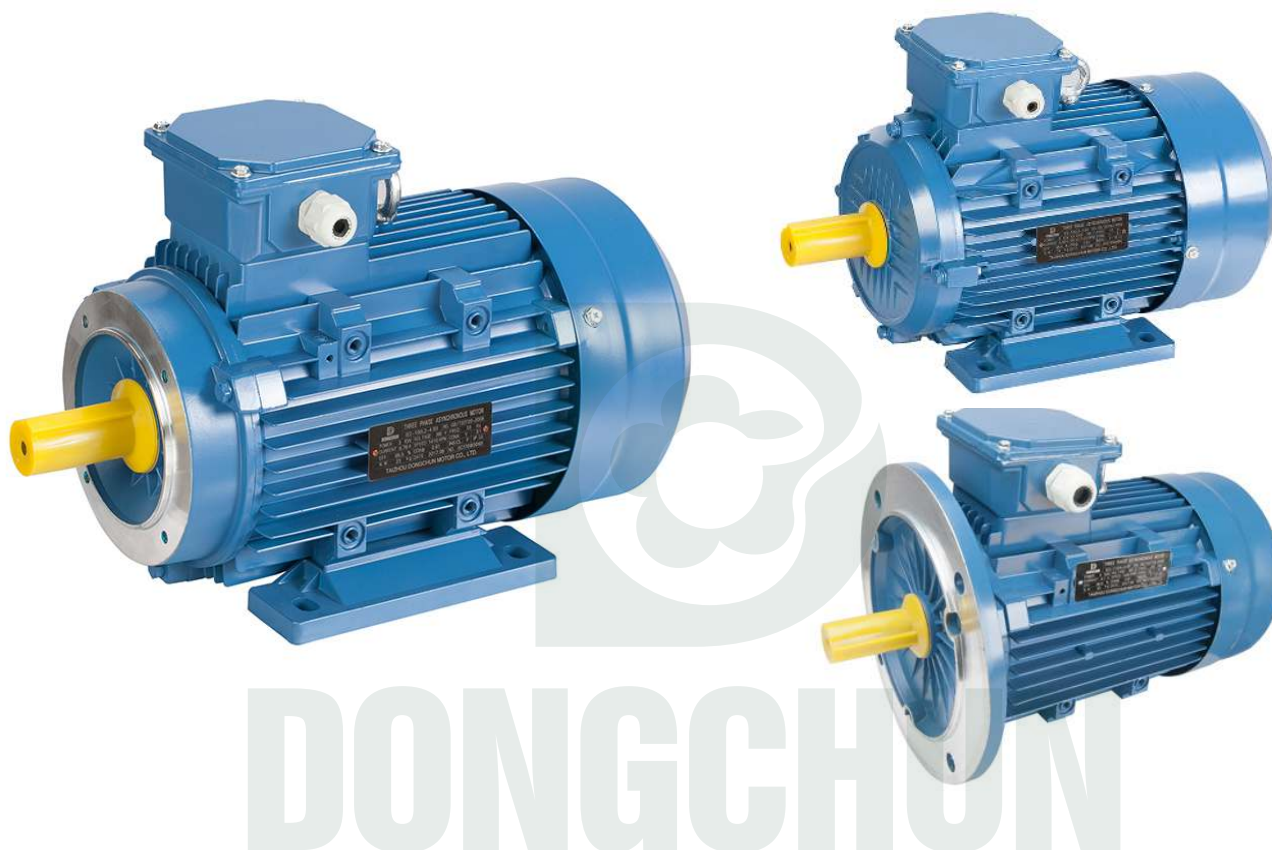


DONGCHUN

MS SERIES

MS系列三相铝壳异步电动机

MS SERIES ALUMINIUM HOUSING THREE-PHASE INDUCTION MOTOR



特点 FEATURES

MS系列三相铝壳异步电动机是选用优质材料，根据IEC标准进行最新式整体设计而成。

MS电机拥有高性能、操作安全可靠、外观优美、便于保养、低噪音、振动小并且有重量轻、结构简单等优点。本系列电动机适用于一般驱动用。

Ms series aluminium housing three-phase asynchronous motors, with latest design in entirety, are made of selected quality materials and conformed to iec standard. Ms motors have good performance, safety and reliable operation, nice appearance, and can be maintained very conveniently, while with low noises, little vibration and at the same time light weight and simple construction. These motors can be used for general drive.

使用条件 OPERATING CONDITIONS

环境温度：-15°C ≤ 0 ≤ 40°C

海拔：不超过1000米

额定电压：380V±5%

额定频率：50Hz(按要求也可以生产60Hz)

工作制：S1连续工作制

绝缘等级：F级

防护等级：IP54

冷却方式：IC0141

Ambient temperature: -15°C ≤ 0 ≤ 40°C

Altitude: Not exceeding 1000 meters

Rated voltage: 380V±5%

Rated frequency: 50Hz (60Hz is available on request)

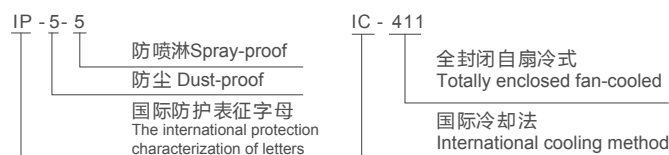
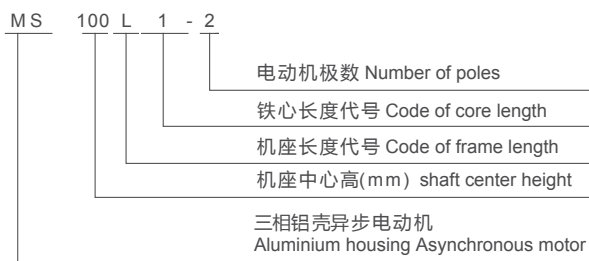
Duty/Rating: Continuous (S1)

Insulation class: Class F

Protection class: IP54

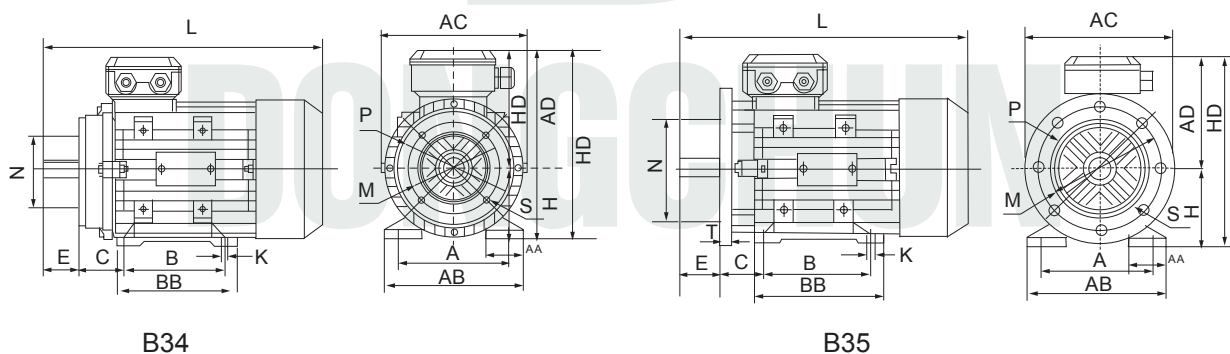
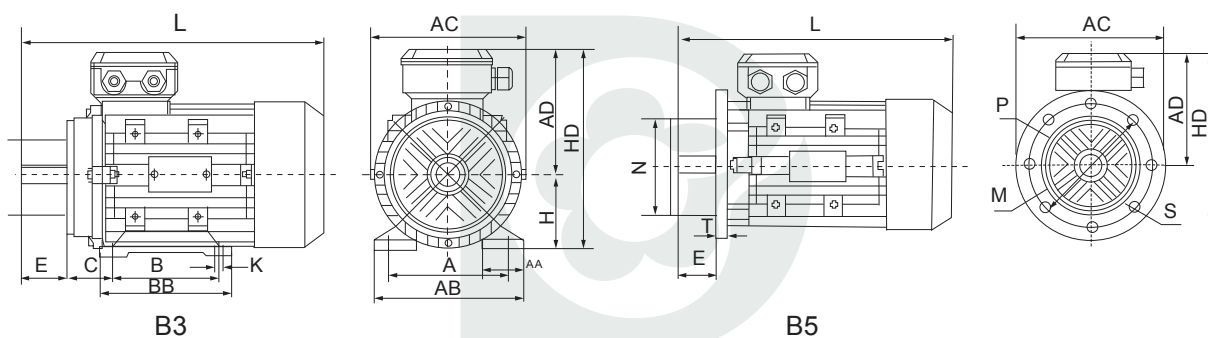
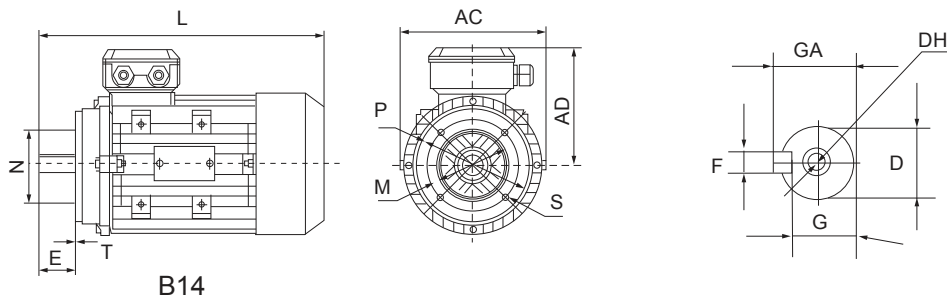
Cooling method: IC 0141

代号说明 EXPLANATION OF TYPE DESIGNATION



**DONGCHUN**

| 型号 Type | 额定功率 Rated Power KW | 额定电流 Rated Current (A) | 效率 Efficiency η (%) | 功率因数 Power Factor (Cos Φ) | 额定转速 Rated Speed (r/min) | 堵转电流 Locked current | 堵转转矩 Locked torque | 最小转矩 Max.Torque | N.W.Kg |
|---|---------------------------|------------------------------|--------------------------------|---------------------------------------|--------------------------------|------------------------------------|--------------------------------|---------------------------------|--------|
| | | | | | | 额定电流 Rated Current Istart/Tn | 额定转矩 Rated Torque Ist/In | 额定转矩 Rated torque Tmax/Tn | |
| 380V 50Hz 2极同步转速 Synchronous Speed 3000r/min (2Poles) | | | | | | | | | |
| MS561-2 | 0.09 | 0.30 | 60 | 0.76 | 2750 | 2.3 | 6.0 | 2.4 | 3.6 |
| MS562-2 | 0.12 | 0.37 | 63 | 0.78 | 2750 | 2.3 | 6.0 | 2.4 | 4.0 |
| MS631-2 | 0.18 | 0.53 | 65 | 0.80 | 2780 | 2.3 | 6.0 | 2.4 | 4.1 |
| MS632-2 | 0.25 | 0.69 | 68 | 0.81 | 2780 | 2.3 | 6.0 | 2.4 | 4.5 |
| MS711-2 | 0.37 | 0.99 | 70 | 0.81 | 2800 | 2.3 | 6.0 | 2.4 | 5.6 |
| MS712-2 | 0.55 | 1.40 | 73 | 0.82 | 2800 | 2.3 | 6.0 | 2.4 | 6.2 |
| MS801-2 | 0.75 | 1.83 | 75 | 0.83 | 2825 | 2.3 | 6.0 | 2.4 | 9.1 |
| MS802-2 | 1.1 | 2.58 | 77 | 0.84 | 2825 | 2.3 | 6.5 | 2.4 | 10 |
| MS90S-2 | 1.5 | 3.43 | 79 | 0.84 | 2840 | 2.3 | 6.5 | 2.4 | 12 |
| MS90L-2 | 2.2 | 4.85 | 81 | 0.85 | 2840 | 2.3 | 6.5 | 2.4 | 13.2 |
| MS100L-2 | 3 | 6.31 | 83 | 0.87 | 2880 | 2.3 | 7.0 | 2.4 | 22 |
| MS112M-2 | 4 | 8.12 | 85 | 0.88 | 2890 | 2.3 | 7.0 | 2.4 | 30 |
| MS132S1-2 | 5.5 | 11.0 | 86 | 0.88 | 2900 | 2.3 | 7.0 | 2.4 | 43 |
| MS132S2-2 | 7.5 | 14.9 | 87 | 0.88 | 2900 | 2.3 | 7.0 | 2.4 | 49 |
| MS160M1-2 | 11 | 21.3 | 88 | 0.89 | 2930 | 2.3 | 7.0 | 2.4 | 69 |
| MS160M2-2 | 15 | 28.8 | 89 | 0.89 | 2930 | 2.3 | 7.0 | 2.4 | 78 |
| MS160L-2 | 18.5 | 34.7 | 90 | 0.90 | 2930 | 2.3 | 7.0 | 2.4 | 81 |
| 380V 50Hz 4极同步转速 Synchronous Speed 1500r/min(4Poles) | | | | | | | | | |
| MS561-4 | 0.06 | 0.27 | 50 | 0.68 | 1300 | 2.2 | 5.5 | 2.3 | 3.6 |
| MS562-4 | 0.09 | 0.36 | 54 | 0.70 | 1300 | 2.2 | 5.5 | 2.3 | 4.0 |
| MS631-4 | 0.12 | 0.44 | 57 | 0.72 | 1330 | 2.2 | 5.5 | 2.3 | 4.1 |
| MS632-4 | 0.18 | 0.62 | 60 | 0.73 | 1330 | 2.2 | 5.5 | 2.3 | 4.5 |
| MS711-4 | 0.25 | 0.79 | 65 | 0.74 | 1360 | 2.2 | 5.5 | 2.3 | 5.6 |
| MS712-4 | 0.37 | 1.12 | 67 | 0.75 | 1360 | 2.2 | 5.5 | 2.3 | 6 |
| MS801-4 | 0.55 | 1.57 | 71 | 0.75 | 1380 | 2.3 | 6.0 | 2.4 | 9 |
| MS802-2 | 0.75 | 2.05 | 73 | 0.76 | 1380 | 2.3 | 6.0 | 2.4 | 10 |
| MS90S-4 | 1.1 | 2.89 | 75 | 0.77 | 1390 | 2.3 | 6.0 | 2.4 | 12 |
| MS90L-4 | 1.5 | 3.70 | 78 | 0.79 | 1390 | 2.3 | 6.0 | 2.4 | 13.2 |
| MS100L1-4 | 2.2 | 5.16 | 80 | 0.81 | 1410 | 2.3 | 7.0 | 2.4 | 21 |
| MS100L2-4 | 3 | 6.78 | 82 | 0.82 | 1410 | 2.3 | 7.0 | 2.4 | 24.8 |
| MS112M-4 | 4 | 8.82 | 84 | 0.82 | 1435 | 2.3 | 7.0 | 2.4 | 29 |
| MS132S-4 | 5.5 | 11.8 | 85 | 0.83 | 1445 | 2.3 | 7.0 | 2.4 | 44 |
| MS132M-4 | 7.5 | 15.6 | 87 | 0.84 | 1445 | 2.3 | 7.0 | 2.4 | 54 |
| MS160M-4 | 11 | 22.3 | 88 | 0.84 | 1450 | 2.2 | 7.0 | 2.3 | 71 |
| MS160L-4 | 15 | 30.1 | 89 | 0.85 | 1450 | 2.2 | 7.0 | 2.3 | 79 |
| 380V 50Hz 6极同步转速 Synchronous Speed 1000r/min(6Poles) | | | | | | | | | |
| MS711-6 | 0.18 | 0.74 | 56 | 0.66 | 900 | 2.0 | 5.5 | 2.2 | 5.4 |
| MS712-6 | 0.25 | 0.95 | 59 | 0.68 | 900 | 2.0 | 5.5 | 2.2 | 6.0 |
| MS801-4 | 0.37 | 1.30 | 62 | 0.70 | 900 | 2.0 | 5.5 | 2.2 | 9 |
| MS802-6 | 0.55 | 1.79 | 65 | 0.72 | 900 | 2.0 | 5.5 | 2.2 | 11 |
| MS90S-6 | 0.75 | 2.29 | 69 | 0.72 | 910 | 2.1 | 5.5 | 2.2 | 13 |
| MS90L-6 | 1.1 | 3.18 | 72 | 0.73 | 910 | 2.1 | 5.5 | 2.2 | 14.2 |
| MS100L-6 | 1.5 | 3.95 | 76 | 0.76 | 940 | 2.1 | 5.5 | 2.2 | 21 |
| MS112M-6 | 2.2 | 5.57 | 79 | 0.76 | 940 | 2.2 | 6.5 | 2.3 | 27 |
| MS132S-6 | 3 | 7.40 | 81 | 0.76 | 960 | 2.2 | 6.5 | 2.3 | 44 |
| MS132M1-6 | 4 | 9.75 | 82 | 0.76 | 960 | 2.2 | 6.5 | 2.3 | 52 |
| MS132M1-6 | 5.5 | 12.9 | 84 | 0.77 | 960 | 2.2 | 6.5 | 2.3 | 58 |
| MS160M-6 | 7.5 | 17.0 | 86 | 0.77 | 970 | 2.2 | 6.5 | 2.3 | 70 |
| MS160L-6 | 11 | 24.2 | 87 | 0.78 | 970 | 2.2 | 6.5 | 2.3 | 79 |
| 380V 50Hz 8极同步转速 Synchronous Speed 750r/min(8Poles) | | | | | | | | | |
| MS801-8 | 0.18 | 0.88 | 51 | 0.61 | 630 | 1.8 | 4.0 | 1.9 | 8.8 |
| MS802-8 | 0.25 | 1.15 | 54 | 0.61 | 640 | 1.8 | 4.0 | 1.9 | 11 |
| MS90S-8 | 0.37 | 1.49 | 62 | 0.61 | 660 | 1.8 | 4.0 | 1.9 | 13 |
| MS90L-8 | 0.55 | 2.18 | 63 | 0.61 | 660 | 1.8 | 4.0 | 2.0 | 14 |
| MS100L-8 | 0.75 | 2.53 | 71 | 0.67 | 690 | 1.8 | 4.0 | 2.0 | 20 |
| MS100L2-8 | 1.1 | 3.32 | 73 | 0.69 | 690 | 1.8 | 5.0 | 2.0 | 26 |
| MS112M-8 | 1.5 | 4.50 | 75 | 0.69 | 680 | 1.8 | 5.0 | 2.0 | 43 |
| MS132S-8 | 2.2 | 6.00 | 78 | 0.71 | 710 | 1.8 | 6.0 | 2.0 | 51 |
| MS132M-8 | 3 | 7.90 | 79 | 0.73 | 710 | 1.8 | 6.0 | 2.0 | 57 |
| MS160M1-8 | 4 | 10.3 | 81 | 0.73 | 720 | 1.9 | 6.0 | 2.0 | 69 |
| MS160M2-8 | 5.5 | 13.6 | 83 | 0.74 | 720 | 2.0 | 6.0 | 2.0 | 78 |
| MS160L-8 | 7.5 | 17.8 | 85 | 0.75 | 720 | 2.0 | 6.0 | 2.0 | 81 |

安装及外形尺寸 MOUNTING AND OVERALL DIMENSIONS


| 机座号 Frame size | 安装尺寸 Mounting Dimensions | | | | | | | | | | | | | | | | 外形尺寸 Overall Dimensions | | | | | | | |
|-------------------|--------------------------|----|-----|-----|----|-----|-----|-----|-----|----|--------|-----|----|------|-----|------|-------------------------|--------|-----|-----|-----|-----|------|-----|
| | A | AA | AB | BB | HA | AC | AD | B | C | D | DH | E | F | G | H | K | KK | | L | M | N | P | S | T |
| | | | | | | | | | | | | | | | | | METRIC | | | | | | | |
| MS63 | 100 | 24 | 135 | 100 | 7 | 130 | 111 | 80 | 40 | 11 | M4X12 | 23 | 4 | 8.5 | 63 | 7.0 | 1-M20x1.5 | 1-PG11 | 217 | 115 | 95 | 140 | 18 | 3 |
| MS71M | 112 | 26 | 159 | 110 | 8 | 145 | 118 | 90 | 45 | 14 | M5X12 | 30 | 5 | 11.0 | 71 | 7.0 | 1-M20x1.5 | 1-PG11 | 245 | 130 | 110 | 160 | 10 | 3.5 |
| MS80M | 125 | 35 | 165 | 125 | 9 | 175 | 134 | 100 | 50 | 19 | M6X16 | 40 | 6 | 15.5 | 80 | 10.0 | 1-M25x1.5 | 1-PG16 | 287 | 165 | 130 | 200 | 12 | 3.5 |
| MS90S | 140 | 37 | 180 | 125 | 10 | 195 | 140 | 100 | 56 | 24 | M8X19 | 50 | 8 | 20.0 | 90 | 10.0 | 1-M25x1.5 | 1-PG16 | 315 | 165 | 130 | 200 | 12 | 3.5 |
| MS90L | 140 | 37 | 180 | 150 | 10 | 195 | 140 | 125 | 56 | 24 | M8X19 | 50 | 8 | 20.0 | 90 | 10.0 | 1-M25x1.5 | 1-PG16 | 340 | 165 | 130 | 200 | 12 | 3.5 |
| MS100L | 160 | 40 | 205 | 172 | 11 | 215 | 160 | 140 | 63 | 28 | M10X22 | 60 | 8 | 24.0 | 100 | 12.0 | 1-M32x1.5 | 1-PG21 | 385 | 215 | 180 | 250 | 14.5 | 4 |
| MS112M | 190 | 41 | 230 | 181 | 12 | 240 | 178 | 140 | 70 | 28 | M10X22 | 60 | 8 | 24.0 | 112 | 12.0 | 1-M32x1.5 | 1-PG21 | 400 | 215 | 180 | 250 | 14.5 | 4 |
| MS132S | 216 | 51 | 270 | 186 | 15 | 275 | 206 | 140 | 89 | 38 | M12X28 | 80 | 10 | 33.0 | 132 | 12.0 | 1-M32x1.5 | 1-PG21 | 483 | 265 | 230 | 300 | 14.5 | 4 |
| MS132M | 216 | 51 | 270 | 224 | 15 | 275 | 206 | 178 | 89 | 38 | M12X28 | 80 | 10 | 33.0 | 132 | 12.0 | 1-M32x1.5 | 2-PG21 | 510 | 265 | 230 | 300 | 14.5 | 4 |
| MS160M | 254 | 55 | 320 | 260 | 18 | 330 | 255 | 210 | 108 | 42 | M16X36 | 110 | 12 | 37.0 | 160 | 14.5 | 1-M40x1.5 | 2-PG29 | 615 | 300 | 250 | 350 | 18.5 | 5 |
| MS160L | 254 | 55 | 320 | 304 | 18 | 330 | 255 | 254 | 108 | 42 | M16X36 | 110 | 12 | 37.0 | 160 | 14.5 | 1-M40x1.5 | 2-PG29 | 670 | 300 | 250 | 350 | 18.5 | 5 |